



SEAGULL® IV X-1F

Drinking Water Purification System



— INSTALLATION AND PRODUCT USE GUIDE —

Installation Instructions

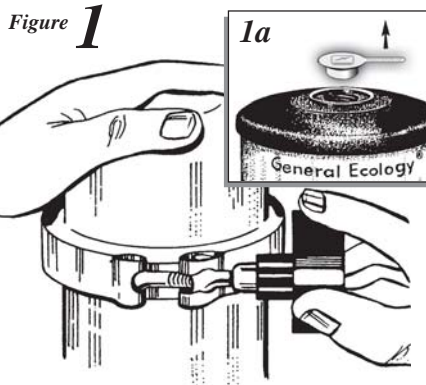
NOTE: Read instructions completely before starting.

General Ecology's X-1F drinking water purification system is designed to operate at pressures ranging from 25 to 125 psi. If pressure surges are a possibility (municipal water supplies), install a Pressure Regulator or Surge Protector on the cold water supply line. This system is intended to be installed to the cold water supply line, downstream of and above the cold water shut-off valve inside the kitchen sink cabinet (see page 4). Be sure to close supply valves before installation. The Connector Hose will fit an Owner-Supplied Connector T or our optional Saddle T Assembly or Male Run T shown on page 4. Connector branch of Owner Supplied T must have $\frac{3}{8}$ " Male Compression Thread ($\frac{9}{16}$ " - 24 Thread). The cold water supply line should be clean and free of construction debris. A $\frac{3}{4}$ " to $1\frac{1}{2}$ " diameter hole is necessary for mounting the easily installed special Faucet furnished with this unit.

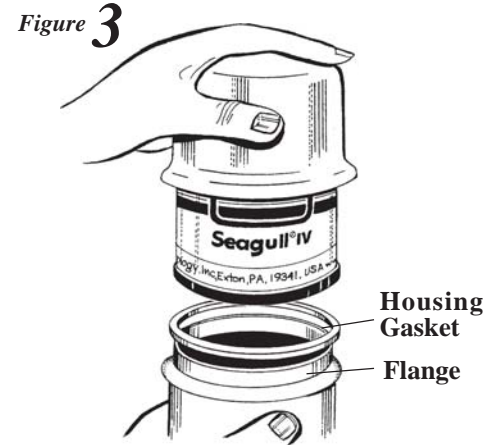
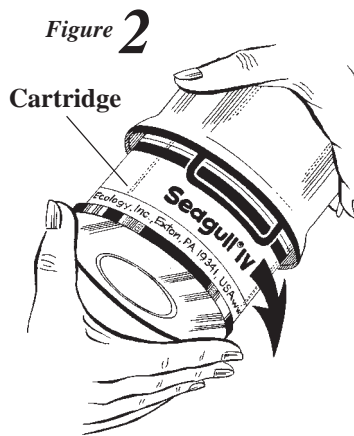
Follow steps 1 through 9 for installation. Steps A through F are cartridge replacement instructions. An order blank is included for assistance in obtaining replacement Cartridges. Configuration specifications are shown at the end of this guide.

General Installation Instructions *Please retain for future servicing of your SEAGULL®IV Water Purifier*

Preliminary: If needed purchase from local hardware store and install Connector T or Saddle Valve with $\frac{3}{8}$ " compression outlet in cold water supply line.

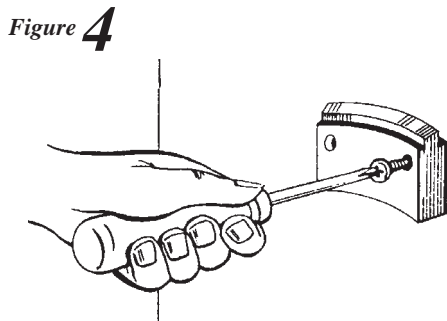


V-Clamp



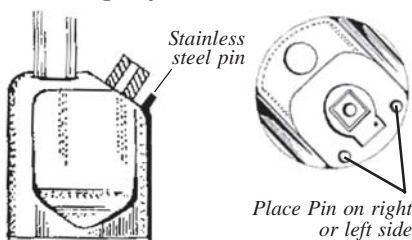
- 1. Open Canister.** Remove V-Clamp and separate Pressure Vessel upper and lower halves.
- 2. Remove Cover.** Remove small plastic protective cover from your new cartridge by pulling the tab end up (Fig.1a).
- 3. Reassemble Pressure Vessel.** Place Gasket on Flange of lower half of Pressure Vessel (Fig.3) and reassemble V-Clamp, keeping Seagull IV logo upright. The Wing Nut on the Clamp should be tightened snugly, by hand only. **Use no tools to tighten.**
- 2. Install Cartridge.** Thread Cartridge (Fig.2) into top half of Pressure Vessel (Be careful not to cross thread.) until contact is first made with Rubber Seal. **Then tighten $\frac{1}{4}$ turn only. Do not overtighten.** Be sure Pressure Vessel Flanges and Housing Gasket are clean and free of dents, nicks or cuts.

Exclusive Feature — TOP MOUNT FAUCET!



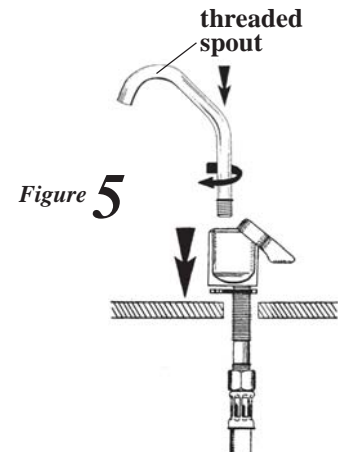
- 4. Install Mounting Bracket.** Position black Mounting Bracket on the inside wall of the sink cabinet. Use the two Self-Tapping Screws to securely install the Bracket. Make sure the Bracket location permits access to the cold water valve location and easy access for Cartridge changes.

To change "pull direction" of handle



To change "pull direction" of handle on faucet, lift handle off stem and reposition stainless steel pin to alternate location. Reinstall handle.

- 5. Install Faucet.** The X-1F is furnished with General Ecology's exclusive "Top Mount" Ceramic Disc Faucet. If a suitable hole isn't available, prepare a $\frac{3}{4}$ " hole to install your faucet. Cut out Mounting Pattern supplied on page number 6 and use for rough positioning. Tape pattern in place, then for final positioning place Faucet on pattern on top of sink and check for correct position of faucet body, spout and lever. Make sure of clearance, above and below sink before drilling mounting hole. Porcelain sinks require special care. For best results we suggest you contact your dealer or others with experience in making cutout in porcelain sinks. We have had good success with the following procedure. First cover the area being penetrated with masking or duct tape and from beneath drill a $\frac{1}{16}$ " pilot hole upward...a $\frac{1}{4}$ " hole and then a $\frac{7}{16}$ " hole and finally the $\frac{3}{4}$ " hole necessary to mount the faucet. For man-made and stone products consult counter top manufacturer's guidelines. For stainless steel sinks use a "Greenlee" type punch/die tool. If you do not have a "Greenlee" punch and are installing on stainless, follow the same procedure as on porcelain/cast iron sinks. Be sure sink ledge at drill hole is "flat" and burr free.



- 6. Connect Hose** directly to Faucet Stem and tighten securely by hand. **Do not overtighten.** Insert and thread Spout into base, **Do not over tighten** (figure 5). Drop free end of Connector Hose through previously prepared hole and position Faucet in hole.

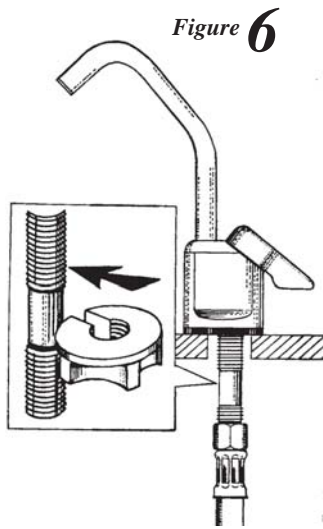


Figure 6

7. **Mount Faucet.** Slide open side of Faucet Mounting Nut onto reduced diameter, un-threaded section of Faucet Stem now beneath the sink, and slide the Nut upwards to contact the threads. Then carefully engage the threads, being careful not to cross thread. Hand tighten as necessary to hold the Faucet in place, **but do not use tools and do not overtighten.** Check alignment and position of Faucet, and adjust as necessary. (We suggest you practice threading the Nut to the Stem above the sink, prior to the actual installation, to become familiar with the method before installing Faucet to sink.)

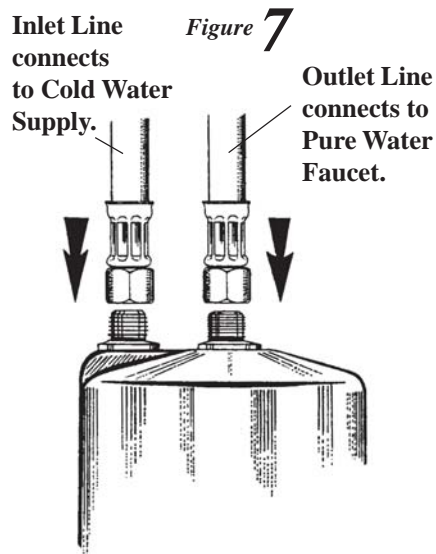


Figure 7

8. **Connect Inlet and Outlet lines.** Connect free end of Thermoplastic Connection Hose from Faucet Stem to Outlet (center) Port on the Pressure Vessel. Tighten securely. **Do not overtighten.** Connect remaining Hose from fitting on cold water supply line to Inlet (outside) Port on top of Pressure Vessel. **Do not overtighten.**

QUESTIONS?

Call 1-800-441-8166
for Customer service

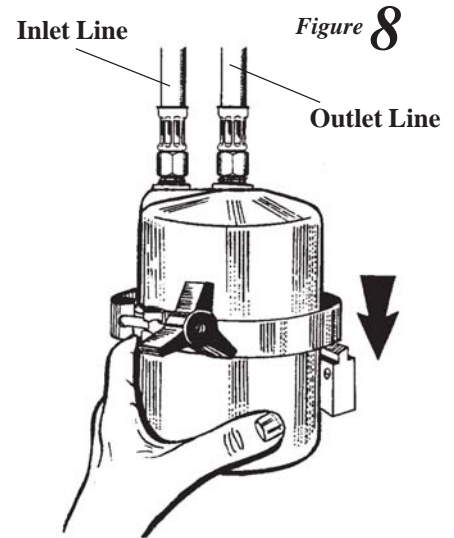


Figure 8

9. **Mount unit on Bracket** by placing the V-Clamp over the raised section on top of the Bracket. Open the X-1F Faucet to allow air to exhaust slowly. Open Valve on cold water service line. Check for leaks. Allow water to run for several minutes to clear line and system of air and any loose materials. Please note that for the first few days you may see entrapped air bubbles within the water. This is perfectly normal and will cease after the unit has processed several gallons of water. Also, some black "fines" from inside of cartridge may flow with the first few gallons of water. These are harmless, if consumed, or may be discarded.

Cartridge Replacement Instructions

All Seagull® IV X-1 units employ a RS-1SG Cartridge. The rated average capacity for the RS-1SG Cartridge is 1,000 gallons. Actual capacity will vary depending on operating conditions and the quality of the water source. Cartridges should be replaced when the flow rate decreases or when foul tastes or odors become apparent (evidence of extra heavy loading of sulfur, tannin, iron or contamination), or annually otherwise. Installing a Cartridge is easily accomplished as follows:

- Close cold water supply valve.**
- Open X-1F Faucet,** and keep it open until new Cartridge is installed and operating.
- Remove unit from Mounting Bracket,** place over a large sauce pan or other container, remove V-Clamp and drain loose water from Pressure Vessel. (If Pressure Vessel halves remain attached due to "set," pull apart manually or momentarily allow a small amount of water to flow into the unit with the X-1F faucet closed to separate the halves. If X-1F faucet is closed, be sure and reopen before continuing with next step).
- Remove expended Cartridge** by placing plastic bag over it and turning counter clockwise. Close bag and discard. Rinse inside of Pressure Vessel

with water and wipe clean with paper towel. Be sure thick White Rubber Cartridge Seal is bonded in place inside the top of the unit.

- Align carefully,** and being careful not to cross thread, thread new Cartridge into place **UNTIL CONTACT IS FIRST MADE WITH SEAL, THEN TIGHTEN ONE QUARTER TURN ONLY. DO NOT OVERTIGHTEN.**

Please refer to *Step 2 and Figure 2.* Reassemble the two stainless steel halves together, making sure the rubber Housing Gasket is in place between the two halves. **IMPORTANT:** Make sure Gasket is not cut or nicked, and be sure housing has not been dropped or dented on either of the two mating halves.

- Refer to Step 9 to place unit back in service.**



HELPFUL HINTS

If you have difficulty separating the upper and lower halves of the pressure vessel, water pressure can help. Turn off cold water supply; remove the V-clamp and close the pure water faucet. With a pan ready to catch water from the unit, **slowly** turn on the water supply. Once the unit begins to separate, turn off the water supply and proceed according to your *Installation and Operations* instructions.

You may apply a light coating of petroleum jelly to the housing gasket to assure ease of opening and closing of the system.

When a new cartridge is put into service, you may see air bubbles and black particles in the water until the system has stabilized. These are harmless and will be purged from the system within the first few liters or quarts of water.

SEAGULL®IV X-1F System Parts List

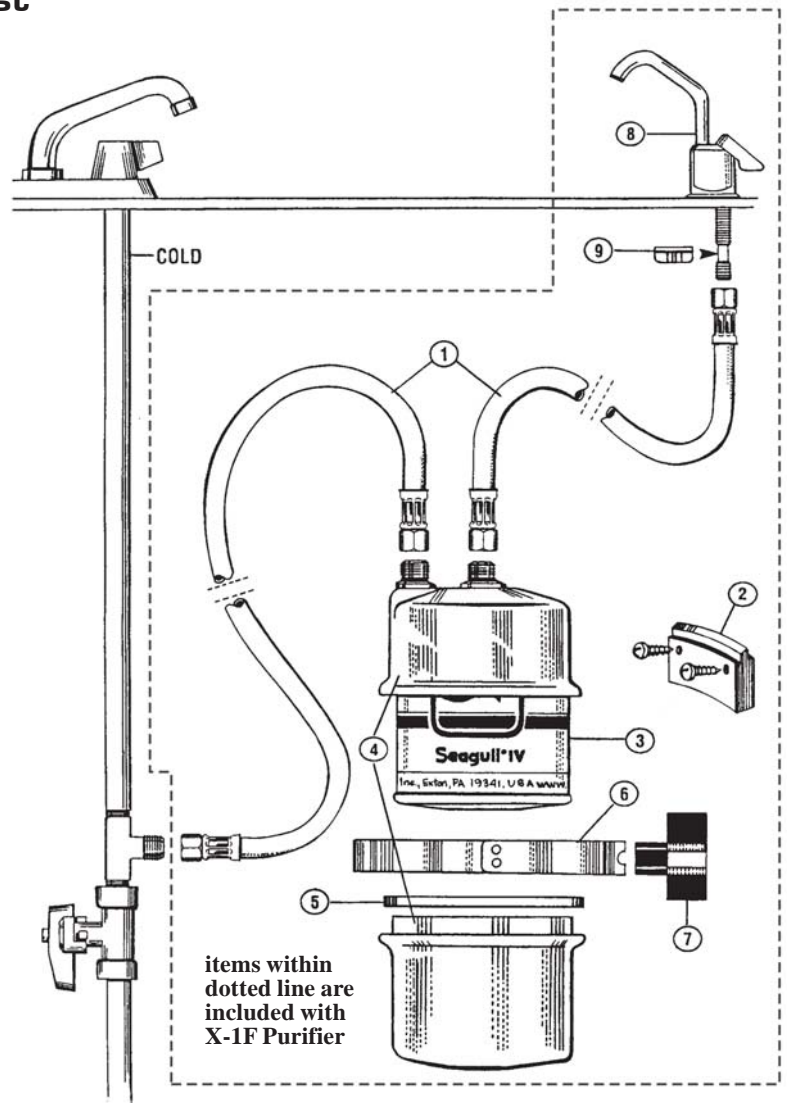
No.	Description	Qty.	Part No.
1	Female Compression Thread 3/8" Braided Connector Hose	2	800344
2	Mounting bracket with 2 Mounting screws	1	700063
3	Purification Cartridge RS-1SG	1	788000
4	X-1 Pressure Vessel	1	N/A
5	Housing Gasket	1	710540
6	V-Clamp for Housing	1	710534
7	Wing Nut for V-Clamp	1	710032
8	Faucet, FP threaded	1	707206
9	Faucet Mounting Nut	1	707106

Optional Accessories Not Included

Female 3/8" Stainless Steel Compression Cap Nut with Gasket	800349
3/8" x 3/8" x 3/8" Stainless Steel Compression T	714358

Made in U.S.A.

Manufactured by General Ecology, Inc., Exton, PA 19341



Seagull®IV X-1D Water Purifier
Diverter Configuration - Ideal for apartments,
condominiums or rental properties.

Easy to install, easy to use. Simply remove aerator from standard kitchen faucet and connect diverter valve. Attractive "Quick Disconnect" fitting provides swivel movement of the connector hose, routed at right angles for easy positioning and less clutter.

Our X-1D configuration includes two adapter bushings, enabling the diverter to fit approximately 95% of the faucets made in the USA and many overseas.

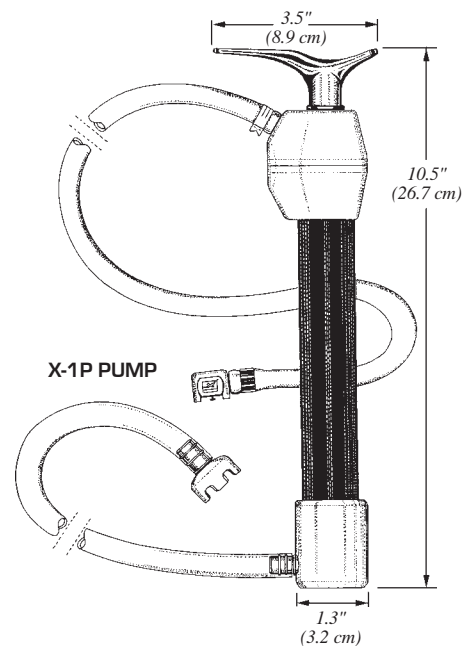
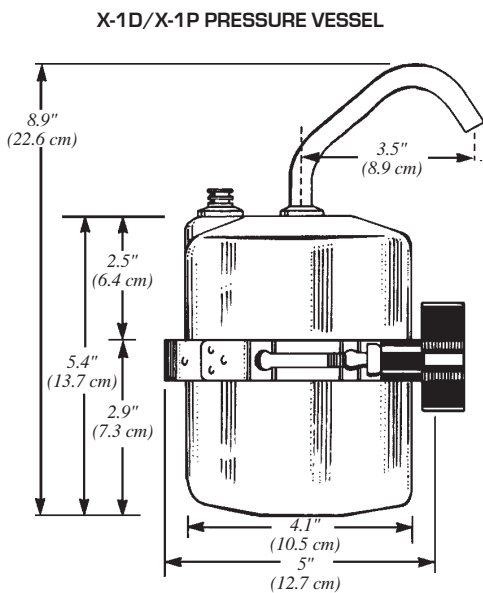


Seagull®IV X-1P Water Purifier
Manual Pump Configuration - Ideal for camping,
emergency preparedness, and cottages,
anywhere pressurized water is not available.

The Seagull IV X-1P configuration has a double acting pump for more water with less work. Field serviceable pump disassembles for easy cleaning and permits the X-1P water purifier to be used with gravity feed assistance systems. "Quick Disconnect" is identical to X-1D configuration for quick and easy interchangeability.



Dimensions of SEAGULL®IV X-1D Vessel and X-1P Pump



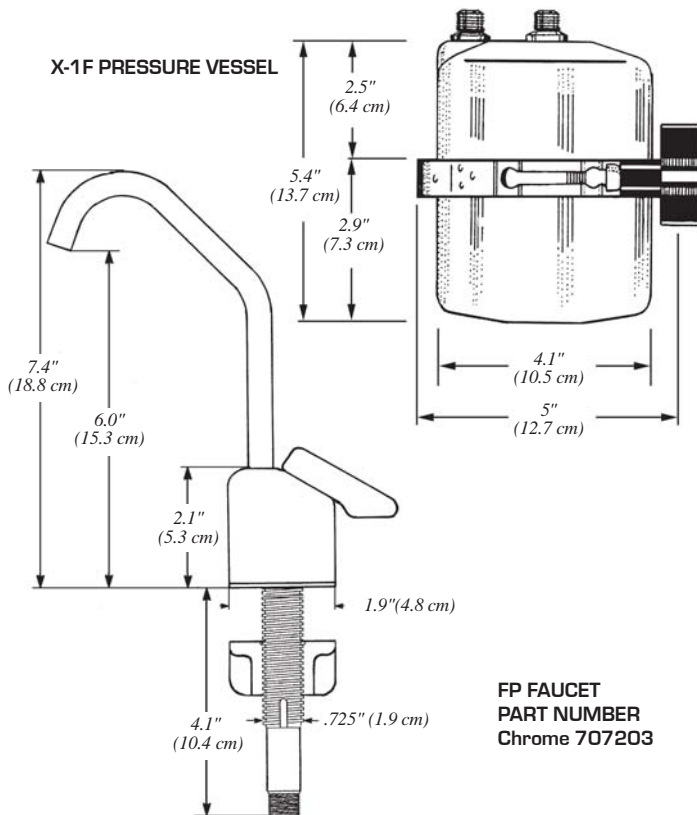
SEAGULL® IV X-1F Positioning and Dimension Information

Cut out faucet base pattern and use for rough position. Tape pattern in place. Then, for final positioning, place faucet on pattern on top of sink and check for correct orientation of faucet body, spout and handle. This final positioning is needed before making your installation hole.

It is important to note control handle position and “throw” to insure adequate clearance.

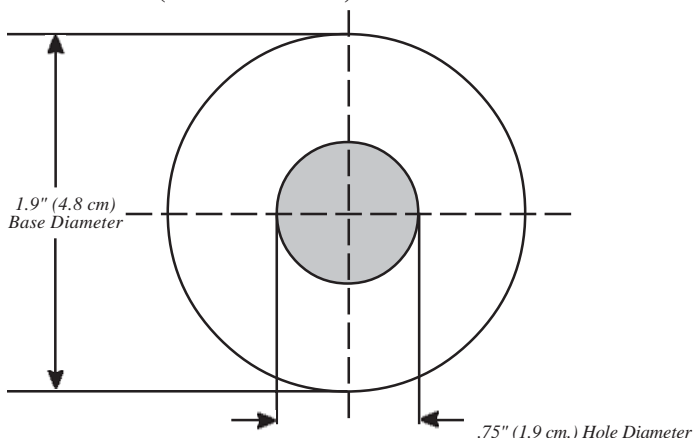
Also note the “swing feature” of the faucet’s spout that allows many different mounting options.

Make sure of all clearances above **and below** sink before drilling mounting hole.



Mounting Hole Pattern for FP Faucet

PATTERN OF BASE OF FP FAUCET SHOWING HOLE LOCATION (ACTUAL SIZE)



Faucet Care Instructions

All General Ecology, Inc. purifiers feature lead free ports and faucets. Faucets are manufactured with the finest components available. However, they require proper care to keep them looking their best.

If properly cared for, these finishes can provide a lifetime of elegance. Chrome finishes can be damaged by abrasive cleaners, in spite of their hardness. To clean faucet surfaces properly, use a small amount of a non-abrasive liquid detergent and a soft wet cloth. Gently rub the soiled surface until the dirt is removed. Then rinse clean and wipe with a dry soft cloth to remove water drops and to prevent spotting. Do not use any abrasive or pumice type cleansers to clean the surfaces of these faucets, or you may permanently scratch or otherwise damage the faucet coating. Hard water may leave mineral deposits or “water spots”. If not cleaned regularly, these deposits may resist cleaning with simple liquid detergents. These can usually be removed using a small amount of vinegar applied directly and rubbing with a soft cloth. Heavy deposits may require repeated applications.

Other Great Products Available from General Ecology, Inc.



AS9100, ISO 9001 and FAA Quality Certified PMA Manufacturer

General Ecology, Inc. the pure science of safe water™

151 Sheree Blvd., Exton, Pennsylvania 19341 USA

